

Low Frequency Pulse Transmitter

Type IN-Z61 - IN-Z65

Retrofittable pulse transmission from a mechanical index

Working principle

A pulse magnet in the first moving drum of the index type Z3/Z6 activates a reed switch in the pulse transmitter.

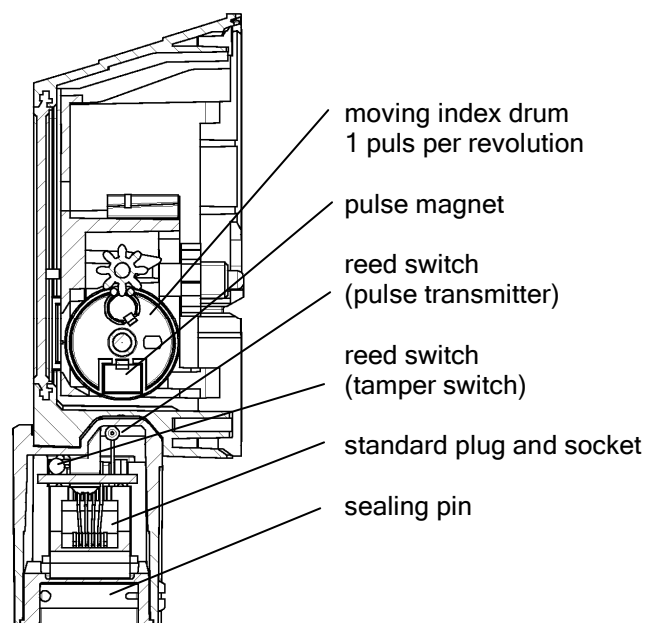
A second reed switch allows the detection of magnetic tampering and interruption of the cable connection. (Not for IN-Z62)

The pulse transmitter can be connected via a sealable standard plug and socket system.

Diaphragm gas meters BK-G1,6 to BK-G100 are equipped with the index Z3/Z6 and pulse magnet and can be retrofitted anytime without breaking the government's seal.

Diaphragm gas meters BK-G40 to BK-G100 are equipped with the IN-Z61 serial.

The pulse transmitter is fixed to the index at a separate sealing point.



Diaphragm gas meter with IN-Z61

Technical Data

Lifetime:	min 2×10^7
(Operations of the totalizing switch)	
Voltage:	$U_{\max} = 24 \text{ V DC}$
Current:	$I_{\max} = 50 \text{ mA}$
Power:	$P_{\max} = 0,25 \text{ W}$
Closing time:	$t_{\min} = 0,25 \text{ s}$
Resistance:	$R_{\max} = 0,5 \Omega$ (closed)

Low Frequency Pulse Transmitter

IN-Z61 - IN-Z65



Ordering includes:

Pulse transmitter IN-Z61/62/63/64/65

Rivet

Lead seal for fixing to the index

Sealing pin for cable connection

Contacts of the pulse transmitter

IN-Z31 IN-Z61		Plug connection: Standard Modular Plug 6/4 according to FCC part 68
IN-Z62		Grommet, Clamp connection via two luster terminals in the housing
IN-Z63		Connector assignment Plug connector: Binder male socket series 423
IN-Z64		Connector assignment Plug connector 1: Binder male socket series 423 Plug connector 2: Binder male cable connector series 723
IN-Z65		Grommet With cable

A: Alarm contact, reed switch (normally closed)
 I: Totalizing contact, reed switch (normally open)

Your contact

Germany
 Elster GmbH
 Steinern Str. 19-21
 55252 Mainz-Kastel
 T +49 6134 605 0
 F +49 6134 605 223
 www.elster-instromet.com
 info@elster-instromet.com

IN-Z61-65 EN02
 A 11-2008

Subject to change without prior notice All rights reserved